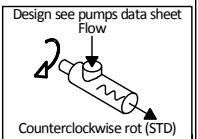
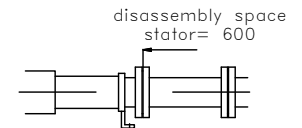
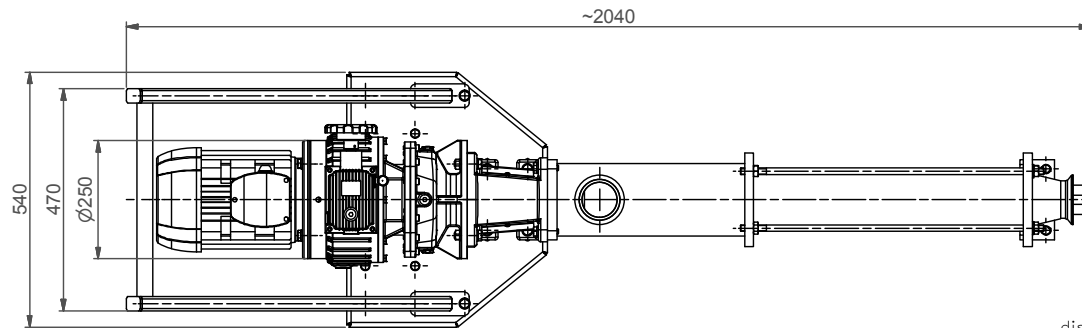
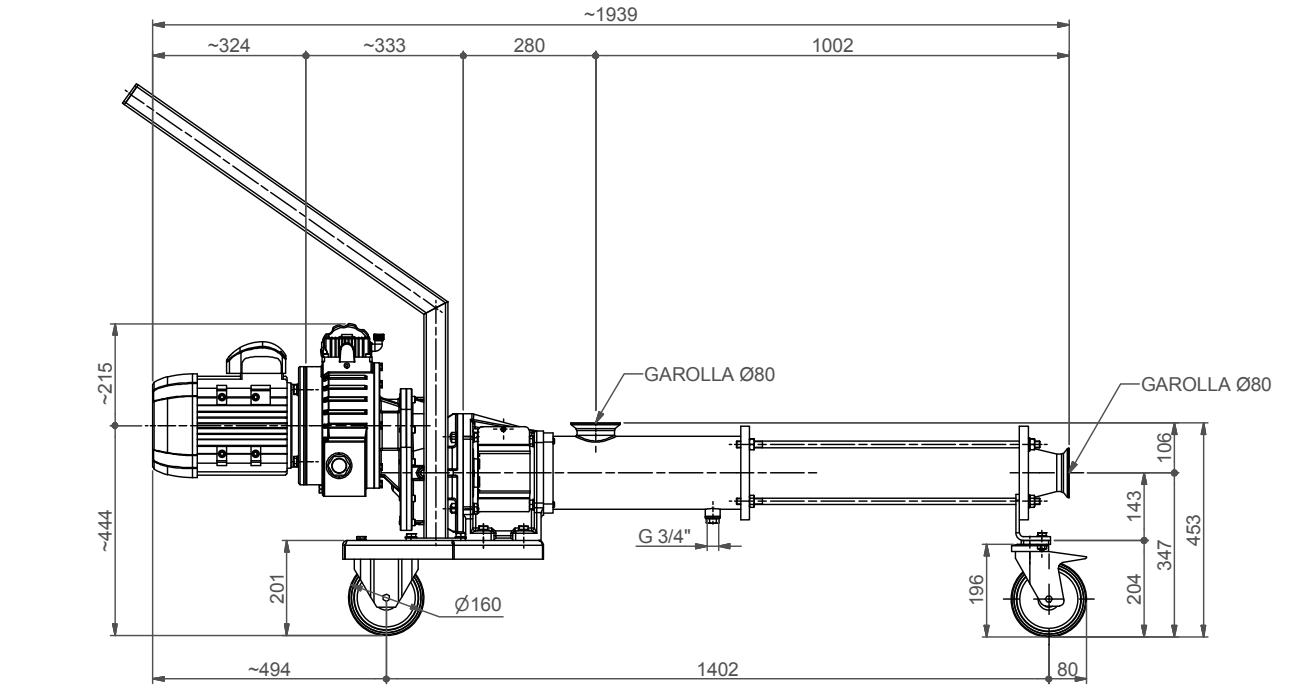
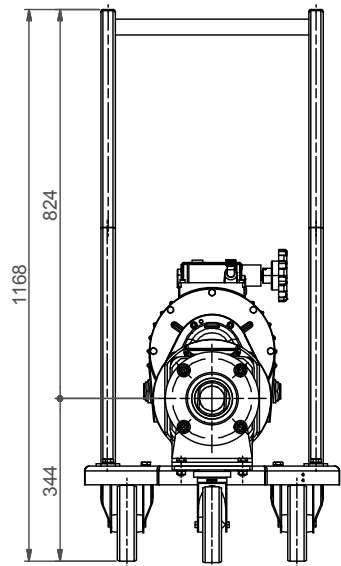


C.W.M. S.R.L.



Replacement for:	Replacement by:
TYPE: MD80-1	Drawn:
Denomination:	Date:
Dimensional Drawing	Check: GM
	Date: 28/12/2013

Scale: 1:16	Weight: 195 kg
	Sheet 1 of 1
General Tolerances ISO 2768-v	
Geometrical tolerance and roughness ISO 1302	